

TURBINE FLOW METER



Technical Data:

- Brand Name: KHP turbine flow meter
- Model Number: ATF series turbine flow meter
- Accuracy: $\pm 1.0\%$
- Body Material: stainless steel
- Connections: flange, clamp, threaded
- Temperature: -30°C ~ 60°C
- Medium temperature: -40°C ~ 150°C
- Pipe size range: DN₂-DN₅₀
- Output Signal: pulse, $4-20\text{mA}$
- Working pressure: 1.0Mpa . 2Mpa . 4Mpa . 6Mpa
- Medium: liquid, Gas
- Protection Grade: IP₆₅
- Communication: RS₄₈₅. MODBUS
- Internal propeller shaft: tungsten carbide
- Internal propeller: PVDF
- Power supply: 24VDC 20ma

Usage places:

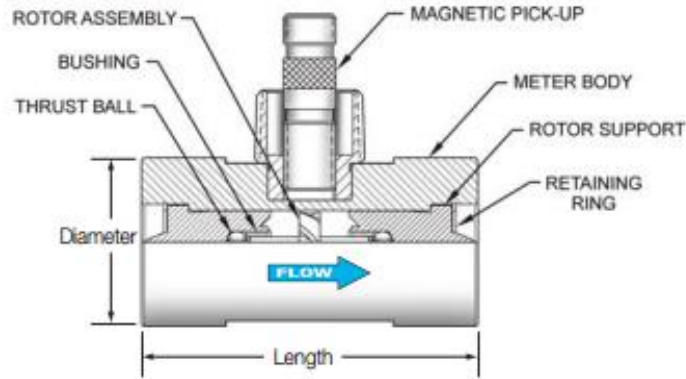
Dairy industries

Food industries

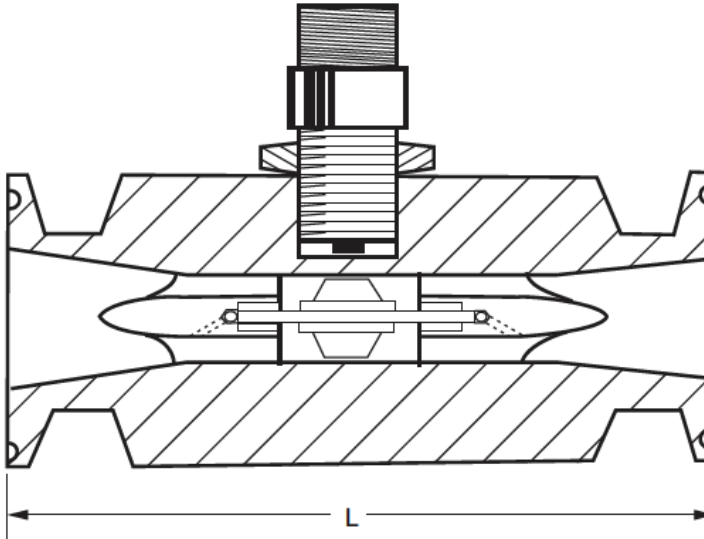
Chemical industries

Oil & gas

Internal details:



Principle of operation:



Clamp Type for dairy industries

